



TRU-FRAME®
A name you can build on.

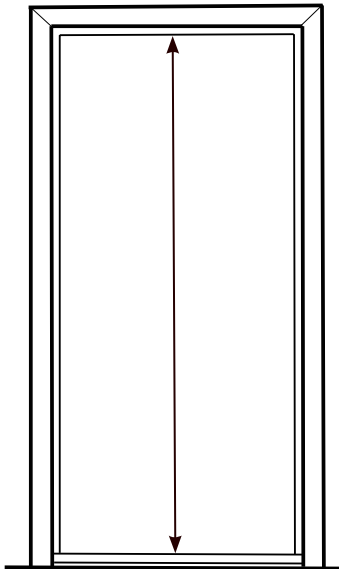
TRU-VIEW™ SECURITY DOOR PRE-HUNG STYLE Installation Instructions

Please read all instructions before beginning installation.

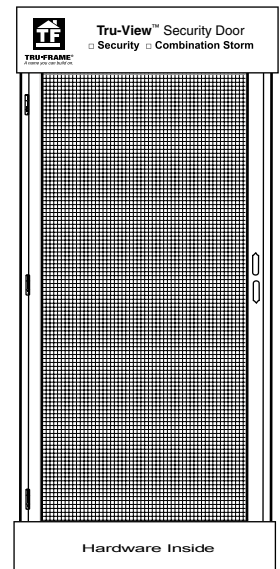
TOOLS REQUIRED

- Slotted Screw Driver
- Phillips Screw Driver
- Pencil or Scriber
- Drill
- Hacksaw
- Wood Chisel
- 3/32" Drill Bit
- Tape Measure

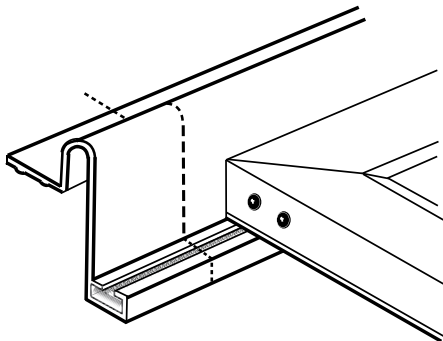
Additional tools may be required for some installations.
Screws for installation are included in the closer kit box.



1. Unpack the door. Hardware is inside bottom tray. Example depicts Left Hinge (LH) door.



2. Measure the height of the doorway opening. If the opening is tall enough for the door Z-bar frame, go on to step 4.



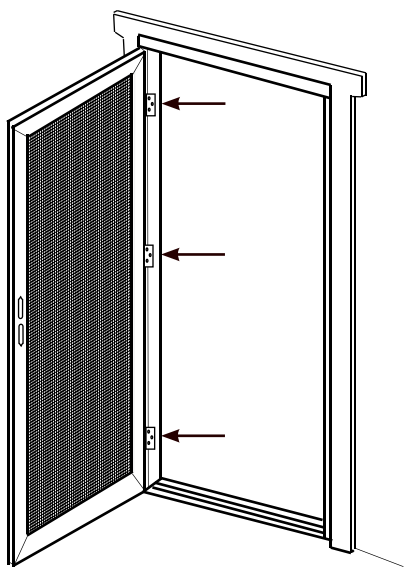
3. With the hacksaw, cut off excess of opening height from ends of Z-bar. Do not cut the Z-bar ends shorter than the bottom of door.



TRU-FRAME®
A name you can build on.

4. Center the Tru-View Door in the opening. Fasten **ONLY** the top and hinge side of the Z-bar to the casing using the #8 x 3/4" Phillips Pan Head screws. (14 screws are provided). Fastening of latch side Z-bar should be performed after handle installation has been completed. (See step #6).

CAUTION: Face of wood casing to which Z-bar is to be applied must be flat. Shim or remove wood as necessary before installing door.



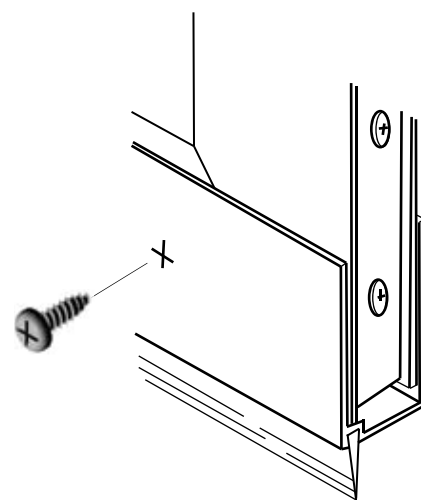
5. Open the door exposing the leaves of the hinges. Fasten each hinge to the casing with a 1-1/4" Flat Head wood screw. (3 screws are provided).

6 Install the handle and notch the wood casing for the latch and dead-bolt lock. (Instructions for installing the handle are included in the handle package). Fasten the latch side of the Z-bar to the casing using #8 x 3/4" Phillips Pan Head screws.

Note: Be sure that door latches and dead bolt operates properly before fastening the Z-bar to the casing. Proper handle installation will have the lever on top and the dead bolt on the bottom. Latch direction can be reversed for proper closing (see instructions).

7. Adjust the bottom expander until the vinyl sweep is touching the threshold. Drill 3/32" holes at least 4" from outside edges of the door at each end of the expander and into the Security Door frame. Fasten the expander using #6 x 3/8" Phillips Pan Head screws. (6 screws are provided).

The vinyl sweep may be trimmed and any additional gap may be taken up by the expander.



8. Instructions for installing the door closer and wind chain will be found in the hardware box.