



TRU-FRAME®
A name you can build on.

TRU-LITE™ SKYLIGHTS

Curb Mounted Skylight Installation Instructions
(Please read all instructions and notes through carefully before beginning)

Tools and Materials needed to complete installation:

- CARPENTER'S SQUARE
- MEASURING TAPE
- LEVEL OR PLUMB-BOB
- LADDER
- HAMMER
- KEYHOLE HANDSAW
- POWER SAW
- NAIL PULLER
- TIN SNIPS
- ROOFING MASTIC & TROWEL
- ROOFING NAILS
- 16d, 10d, 6d ELECTRO-GALVANIZED NAILS
- SIMPSON ST-9 STRAPS
- TRU-FRAME® FLASHING KIT
- ALL WEATHER CAULKING
- 2" x 6" LUMBER TO BUILD CURB

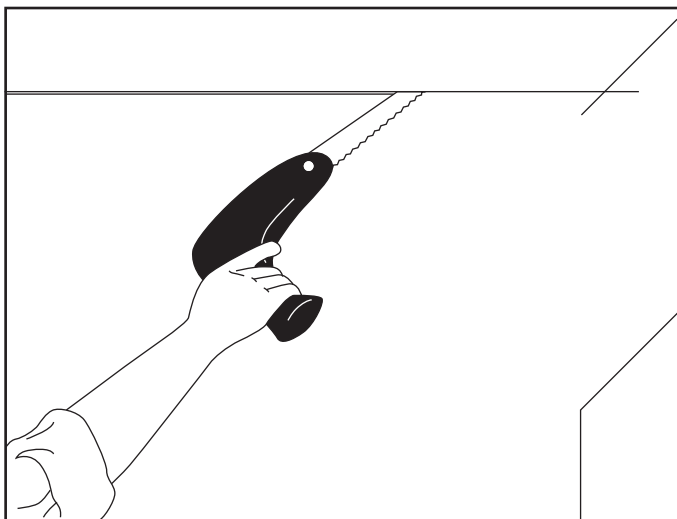
Depending upon your particular installation, additional tools and materials may be needed. For instance, if you are going to build a light shaft between your roof and inside ceiling then you will need to select additional material. On the back of this sheet you will find some diagrams of different type light shaft construction.

Important Notes and Additional Information

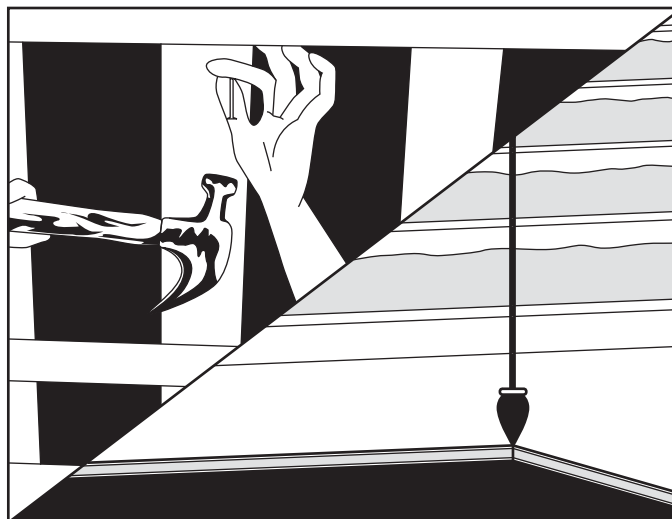
- CHECK THE LOCAL BUILDING CODES since this procedure may require alterations to meet local specifications.
- Be certain to disconnect all electric power and relocate any wiring within the proposed skylight area before cutting into the roof or ceiling.
- Use caution when carrying the skylight to the roof. It is recommended that you plan your installation for a calm, dry day.
- It is highly recommended that safety goggles be worn during installation procedures.
- Clean your skylight with mild detergent and water, then rinse well. Dry with a soft, damp cloth. Avoid aromatic solvents and abrasives.
- Mastic or paint can be removed using a good grade of naphtha, alcohol, or Kerosene. Immediately flush skylight with copious amounts of water.
- Most minor scratches can be removed with a thin coat of auto paste wax and a light buffing with a clean, soft cloth
- R. Lang Company does not, under any circumstances, warrant the INSTALLATION of its products. These instructions are to be used as a guideline to a successful installation by others.

WARNING: THE USE OF SOLVENTS, INCLUDING ACETONE, MINERAL SPIRITS, OR OTHER SUCH PAINT THINNERS WHEN CLEANING ACRYLIC DOMES CAN PERMANENTLY DAMAGE YOUR SKYLIGHT AND WILL VOID YOUR WARRANTY.

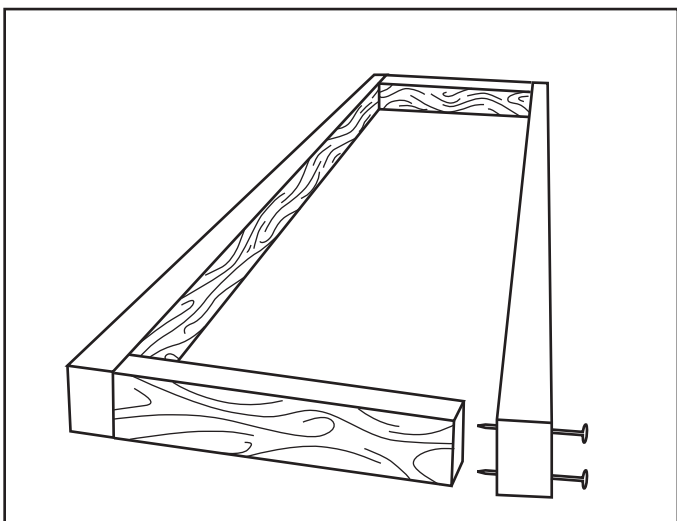
NOTE: Recommend a minimum 3/12 roof pitch for proper weeping. Flat roof installations NOT recommended.



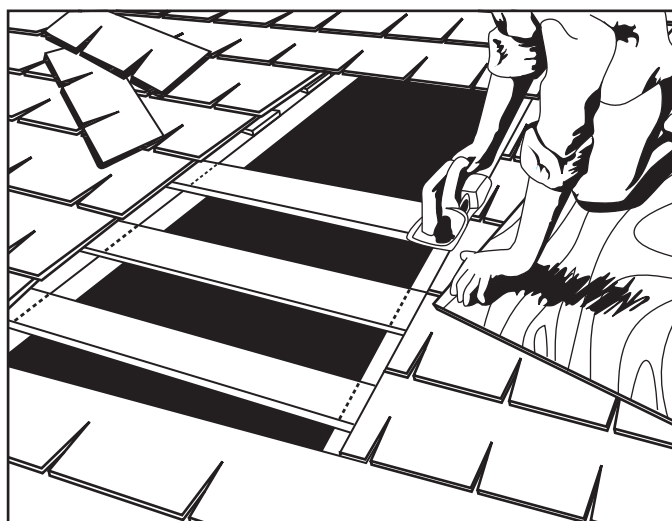
1. Measure and lay out the opening size on the ceiling according to the **INSIDE CURB DIMENSIONS** of your skylight. Use a carpenter's square to mark the opening. Try to position the opening between existing ceiling joists to simplify framing the light shaft. Cut out the opening with a keyhole saw.



2. In the attic, using a plumb bob or level, plumb up from the four corners in the ceiling to the underside of the roof. Drive nails up through the roof at all four corners of the proposed opening. This will make the opening easy to find from the roof.



3. Build a wooden curb out of 2 x 6 lumber and 16 penny nails with inside dimensions the same as the **INSIDE CURB DIMENSIONS** of the skylight. Use roofing mastic in all joints.

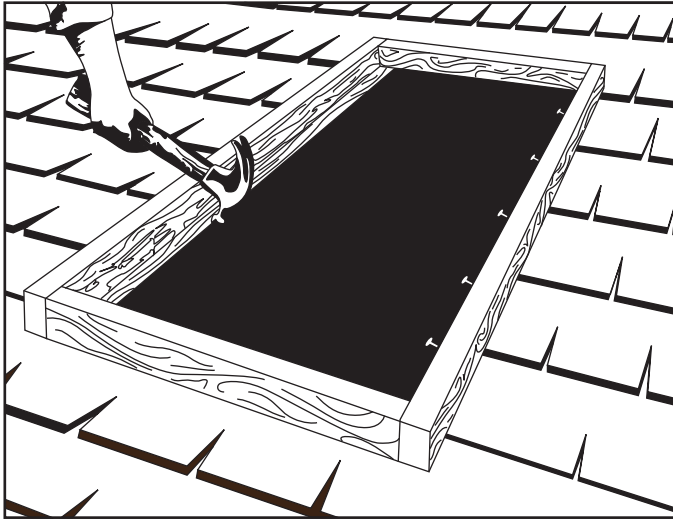


4. Locate the nails protruding up through the roof and remove the shingles from the proposed opening. Using the wooden curb as a template, mark the **INSIDE** curb opening on the roof sheathing or slats. Cut through the sheathing or slats with a power saw. Frame the opening between the roof and ceiling with lumber of similar dimensions to that of the ceiling joists.

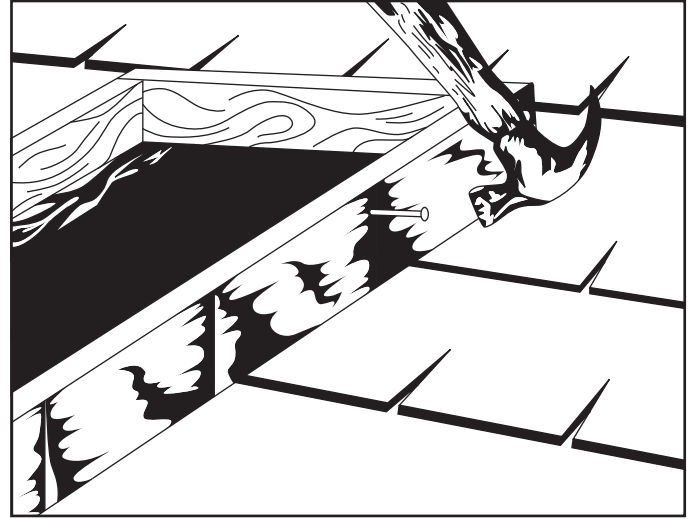


TRU-FRAME®

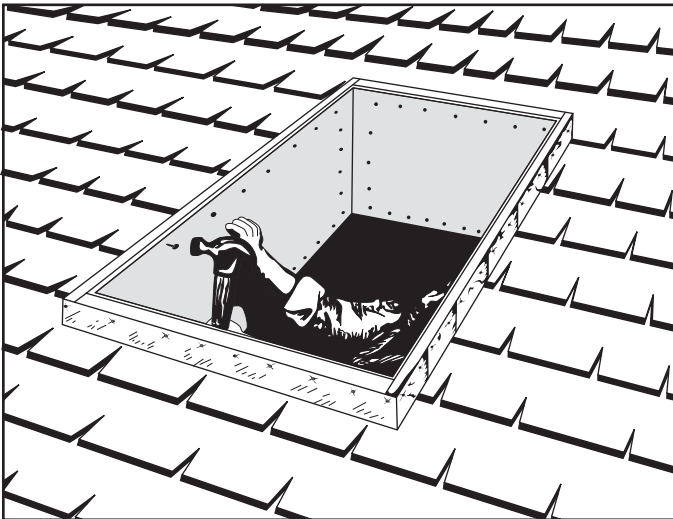
A name you can build on.



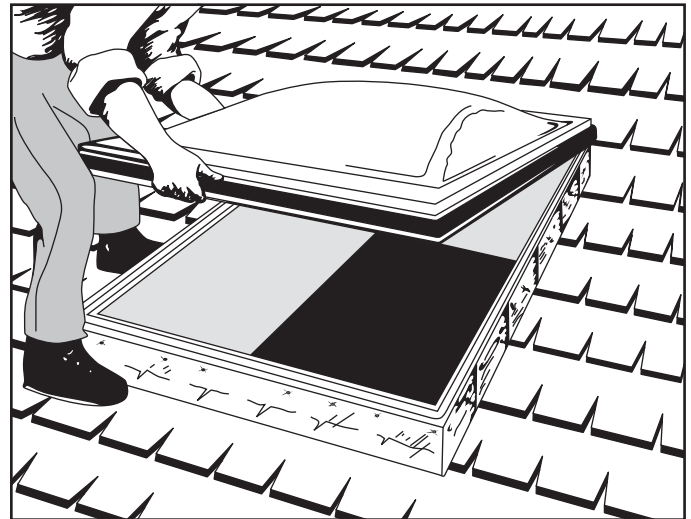
5. Toenail wooden curb to roof using 16 penny nails. Attach curb to roof structure with 10 penny nails using Simpson ST-9 straps or equal at 18" O.C. Be sure to apply a coat of roofing mastic to the base of the curb. You are now ready for sheet metal flashing.



6. Install proper size Tru-Frame® flashing kit around the curb using roofing nails. The flashing used will vary with roofing type. Weather resistance of installation depends on a properly constructed leakproof seal between flashing and roof sheathing. Replace shingles as necessary.



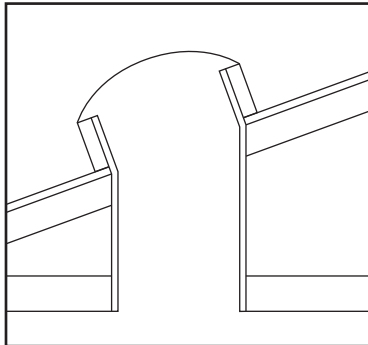
7. Complete your interior framing with drywall or other selected materials. Cover any exposed nails and corner trim with joint compound. Let drywall materials dry the correct amount of time. Sand the area and apply paint as desired.



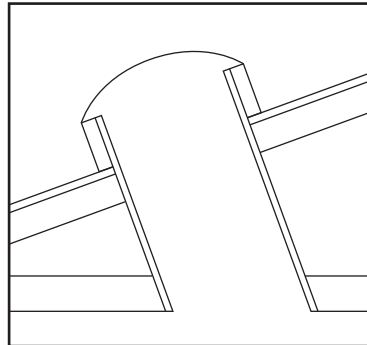
8. Put a continuous bead of caulking all around the top of the curb. Position your Tru-Lite™ skylight over the opening making sure that all four corners are aligned evenly on the curb. Fasten the skylight securely to the curb with 6 penny nails using the pre-punched holes in the side of the skylight frame. Drive nails in ONLY until the head contacts the side of the skylight frame.

LIGHT SHAFT CONSTRUCTION

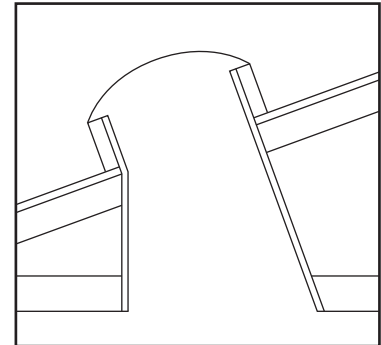
When installing a skylight on a pitched roof which has an attic or crawl space, it will be necessary to construct a light shaft. This shaft will start at the opening in the roof and extend down to the ceiling opening. Here are some suggestions for light shaft construction.



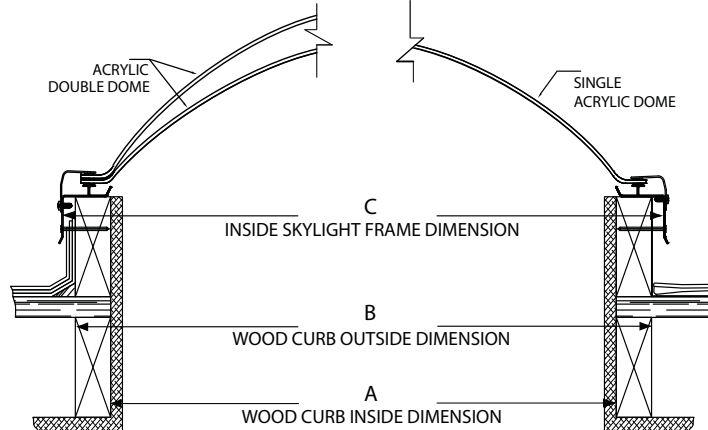
STRAIGHT SHAFT - In this case the skylight is installed directly above the area that you wish to light.



ANGLED SHAFT - Where the skylight cannot be positioned above the area you wish to light because of existing limitations in the roof line.



FLARED SHAFT - To permit the maximum light exposure the ceiling opening is larger than the roof opening and the sides are flared to accommodate the difference.



MODEL NO.	A	B	C	DOMES RISE
LLA1616	14-1/2 x 14-1/2	17-1/2 x 17-1/2	18-3/4 x 18-3/4	5"
LLA1624	14-1/2 x 22-1/2	17-1/2 x 25-1/2	18-3/4 x 26-3/4	5"
LLA1632	14-1/2 x 30-1/2	17-1/2 x 33-1/2	18-3/4 x 34-3/4	5"
LLA1648	14-1/2 x 46-1/2	17-1/2 x 49-1/2	18-3/4 x 50-3/4	5"
LLA2424	22-1/2 x 22-1/2	25-1/2 x 25-1/2	26-3/4 x 26-3/4	6"
LLA2432	22-1/2 x 30-1/2	25-1/2 x 33-1/2	26-3/4 x 34-3/4	6"
LLA2436	22-1/2 x 34-1/2	25-1/2 x 37-1/2	26-3/4 x 38-3/4	6"
LLA2448	22-1/2 x 46-1/2	25-1/2 x 49-1/2	26-3/4 x 50-3/4	6"
LLA2472	22-1/2 x 70-1/2	25-1/2 x 73-1/2	26-3/4 x 74-3/4	8"
LLA2496	22-1/2 x 94-1/2	25-1/2 x 97-1/2	26-3/4 x 98-3/4	10"
LLA3232	30-1/2 x 30-1/2	33-1/2 x 33-1/2	34-3/4 x 34-3/4	6"
LLA3248	30-1/2 x 46-1/2	33-1/2 x 49-1/2	34-3/4 x 50-3/4	6"
LLA3272	30-1/2 x 70-1/2	33-1/2 x 73-1/2	34-3/4 x 74-3/4	8"
LLA3296	30-1/2 x 94-1/2	33-1/2 x 97-1/2	34-3/4 x 98-3/4	10"
LLA3636	34-1/2 x 34-1/2	37-1/2 x 37-1/2	38-3/4 x 38-3/4	7"
LLA3648	34-1/2 x 46-1/2	37-1/2 x 49-1/2	38-3/4 x 50-3/4	7"
LLA4848	46-1/2 x 46-1/2	49-1/2 x 49-1/2	50-3/4 x 50-3/4	8"